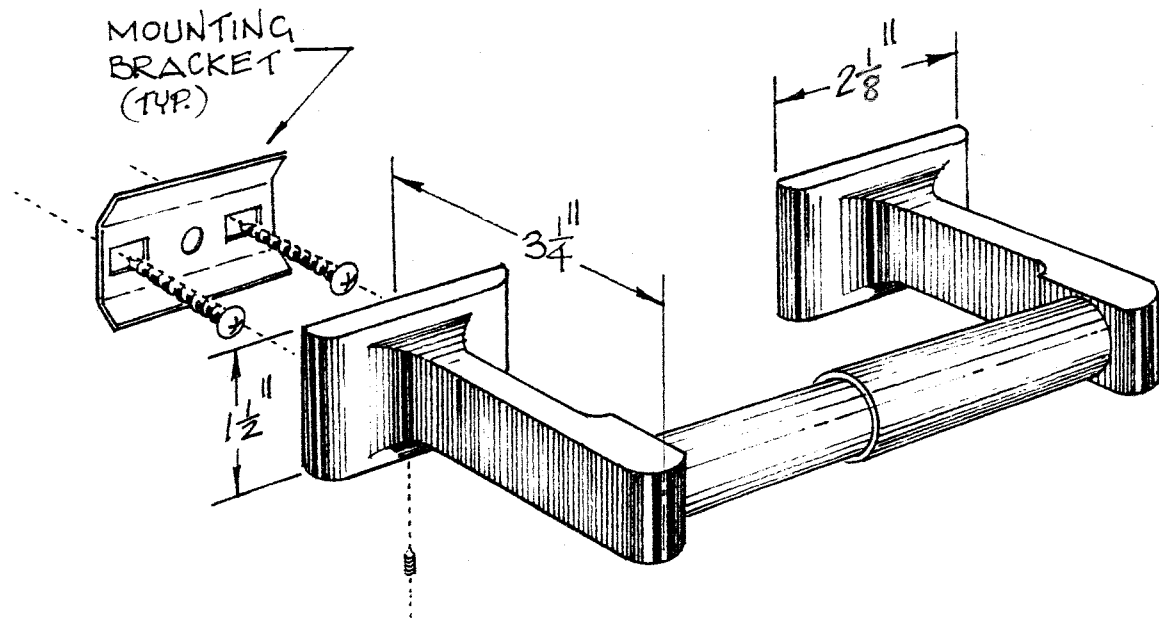


TOILET PAPER HOLDER



CONSTRUCTION:

Brackets are $\frac{3}{4}$ " chrome plated zinc die-cast (zamak) designed for concealed screw mounting. Roller is white plastic on 762. Roller is chrome plastic on 761.

INSTALLATION:

Secure wall plates to studs or solid backing with mounting screws provided. Slip brackets over wall plates and tighten set screws until secure.

SPECIFICATION:

Toilet paper holder shall be model 762 (plastic roller) or 761 (chrome plastic roller) by CWECO, Inc.